



# Submersible **Stainless Steel** Pumps

## SQ/SFQ/BQ/CQ



## Features

### All Wetted Parts Made of Stainless Steel

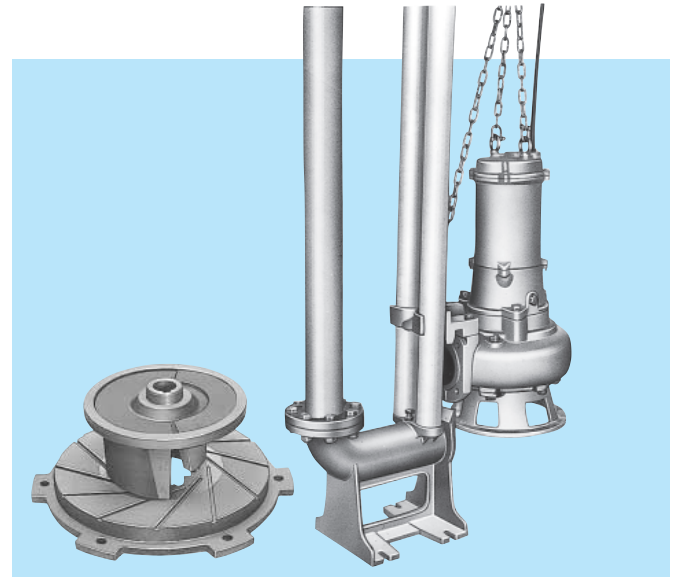
The CQ series, which belongs to the C (cutter pump) series, is built with stainless steel casting (SCS13). The shaft, bolts and nuts are made of 304 stainless steel (SUS304) or 316 stainless steel (SUS316). It is suitable for pumping wastewater containing corrosive liquid and/or fibrous material.

### Efficient Cutter Mechanism

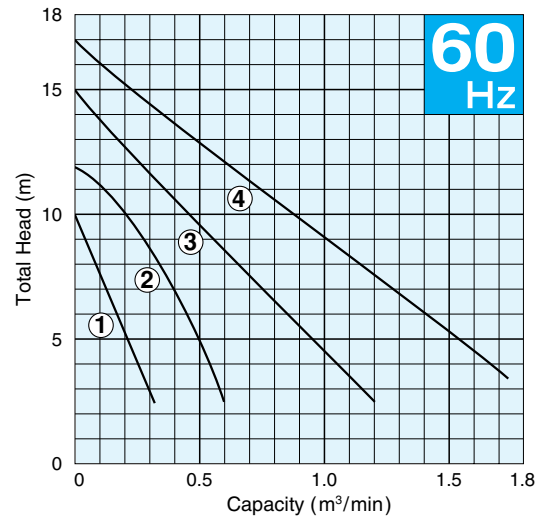
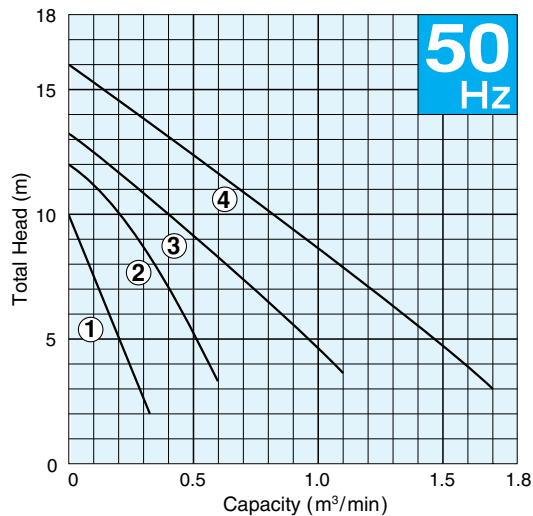
A sintered tungsten carbide alloy edge is brazed on the stainless steel impeller vane, and it rotates on a saw-tooth suction port of the stainless steel suction cover. This mechanism cuts fibrous matters flowed into the impeller and discharge them.

### All Models Available with Guide Rail Fitting

The CQ-series is available with guide rail fittings. Guide rail fitting accessories are made of stainless steel casting (SCS13) or 304 stainless steel (SUS304). Pumps in this series have a 'TOS' identifier on top of their model codes.



## Performance Curves



## Standard Specifications 50/60Hz

Curve No.	Discharge Bore mm	Free Standing Model	Guide Rail Fitting Model	Motor Output kW	Phase	Speed (S.S.) min <sup>-1</sup>	Starting Method	Solids Passage mm	Cable Length m	Cable Code	Dimensions L×H (mm)		Dry Weight** (kg)	
											Free Standing	Guide Rail Fitting	Free Standing	Guide Rail Fitting
1	50	50CQ2.75	TOS50CQ2.75	0.75	Three	3000/3600	D.O.L.	18	6	A	409×483	625×527	40	39
2	80	80CQ21.5	TOS80CQ21.5	1.5	Three	3000/3600	D.O.L.	29	6	A	424×559	646×608	50	48
3	100	100CQ42.2	TOS100CQ42.2	2.2	Three	1500/1800	D.O.L.	35	6	C	603×653	821×695	93	86
4	100	100CQ43.7	TOS100CQ43.7	3.7	Three	1500/1800	D.O.L.	55	6	C(E*)	603×735	821×772	109	102

\* 200~240V

\*\* All weights excluding cable

Weights of guide rail fitting model excluding duckfoot bend

## Applications

- Draining wastewater from chemical plant, plastic plant, etc.
- Draining effluent from hospital and laboratory, etc.

## Dimensions

